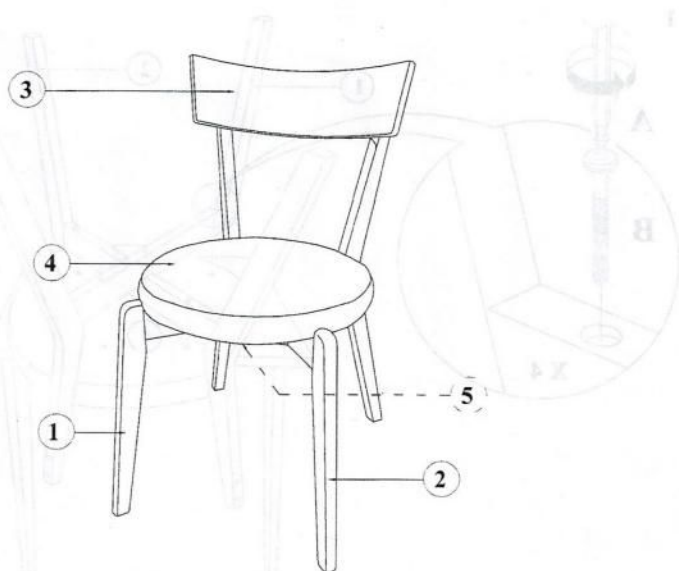


NELSON

R&D-YAW-A1



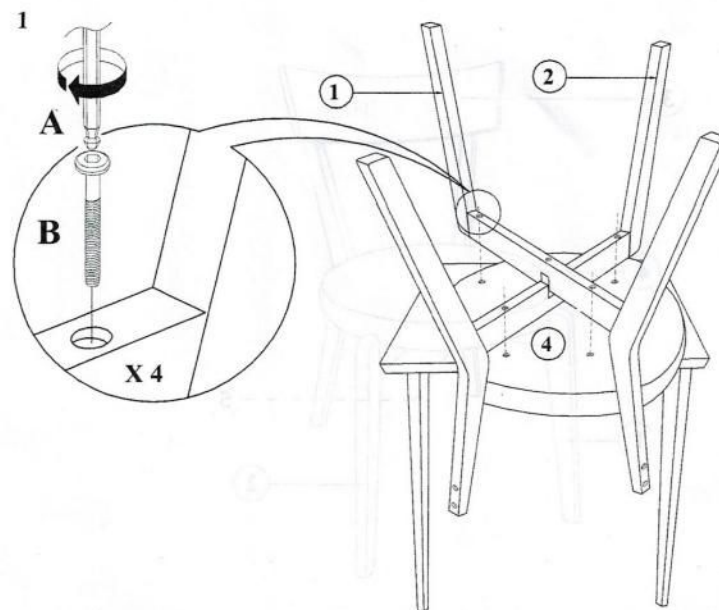
1

| | | |
|---|--|-------|
| 1 | | 2 PCS |
| 2 | | 2 PCS |
| 3 | | 2 PCS |
| 4 | | 2 PCS |
| 5 | | 2 PCS |

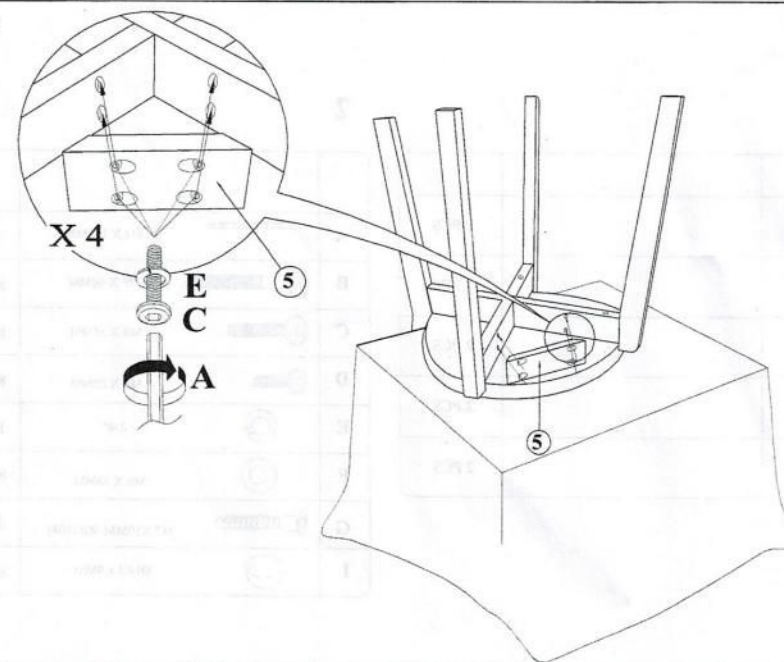
2

| | | | |
|---|--|-------------------|--------|
| A | | M4 X 110MM | 1 PC |
| B | | M6 X 60MM | 8 PCS |
| C | | M6 X 35MM | 8 PCS |
| D | | M6 X 25MM | 8 PCS |
| E | | 1/4" | 16 PCS |
| F | | M6 X 13MM | 8 PCS |
| G | | M7 X50MM ZB (10#) | 2 PCS |
| I | | Ø14.5 x 9MM | 8 PCS |

NELSON

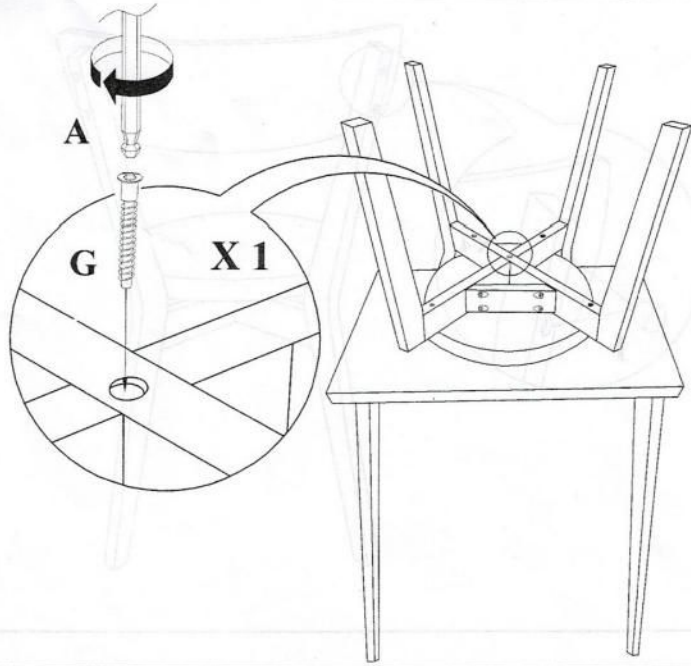


2

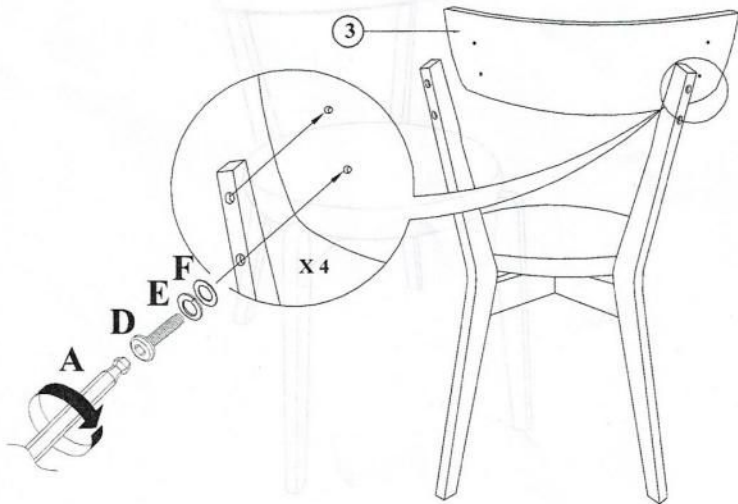


NELSON

3

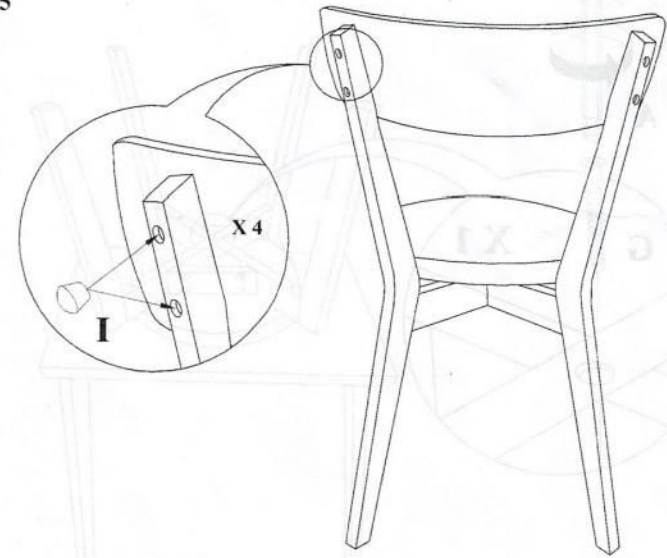


4



NELSON

5



6

